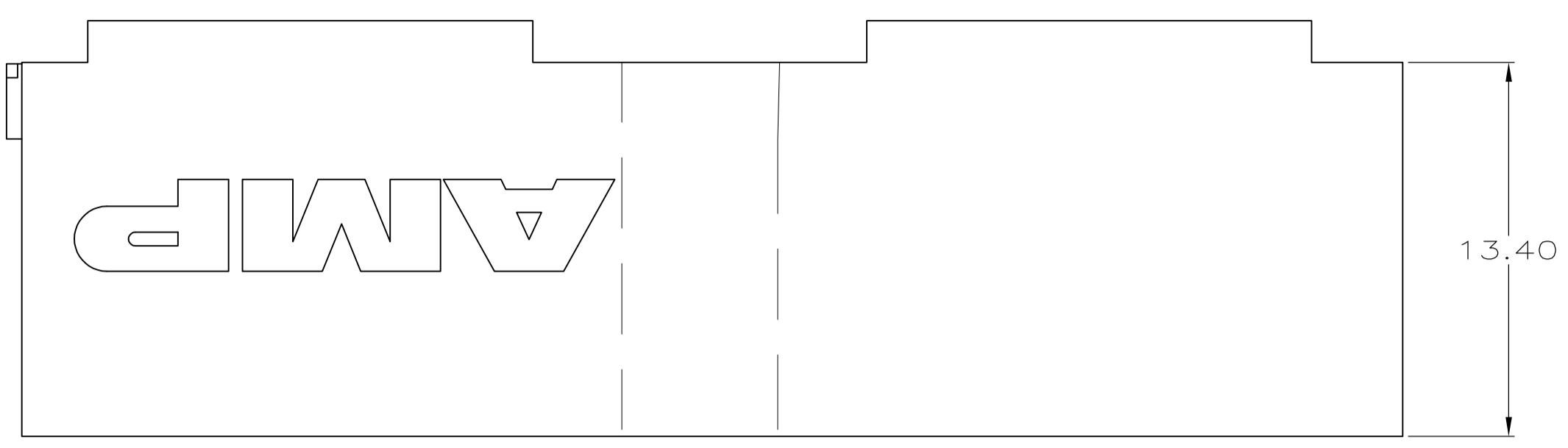
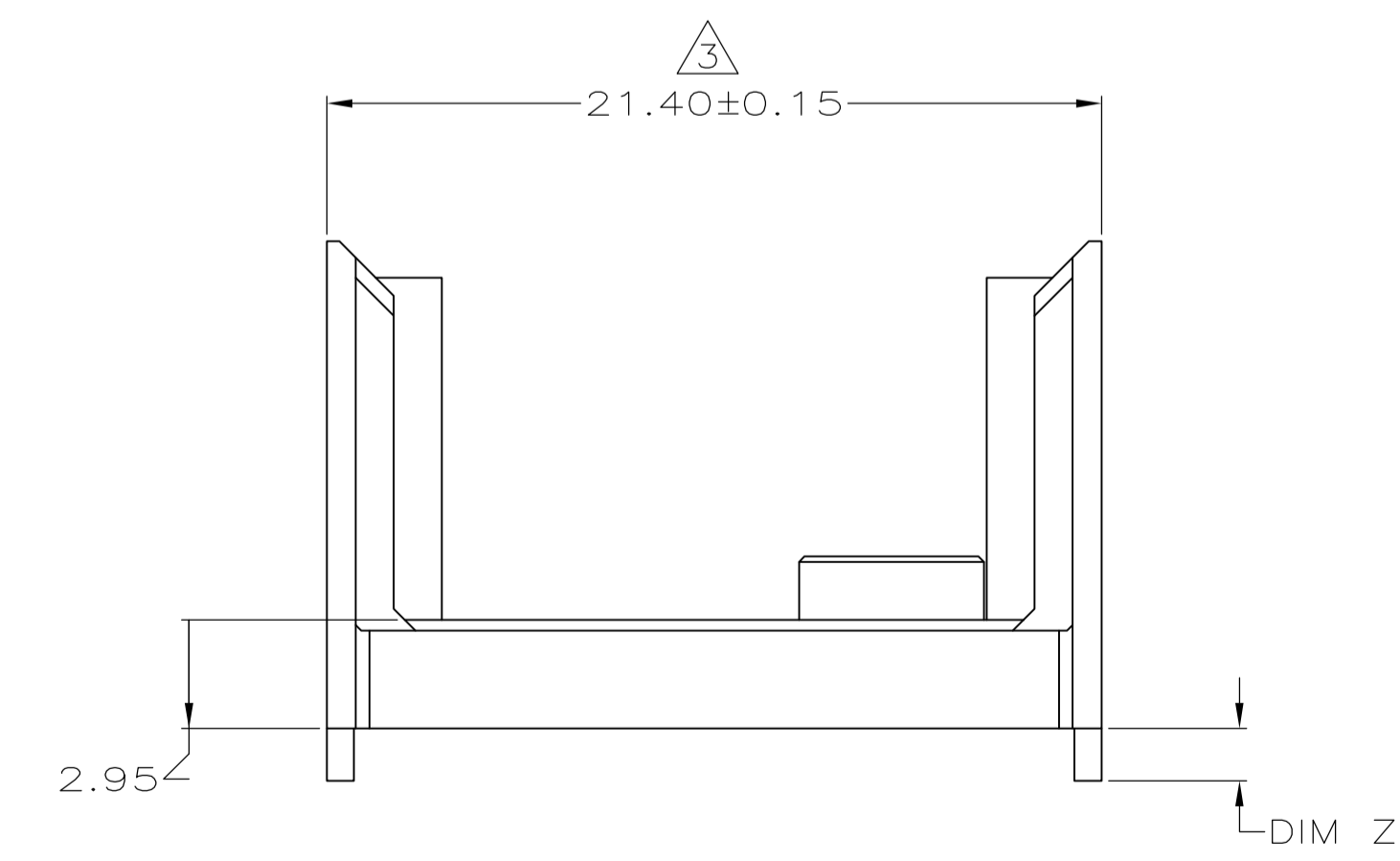
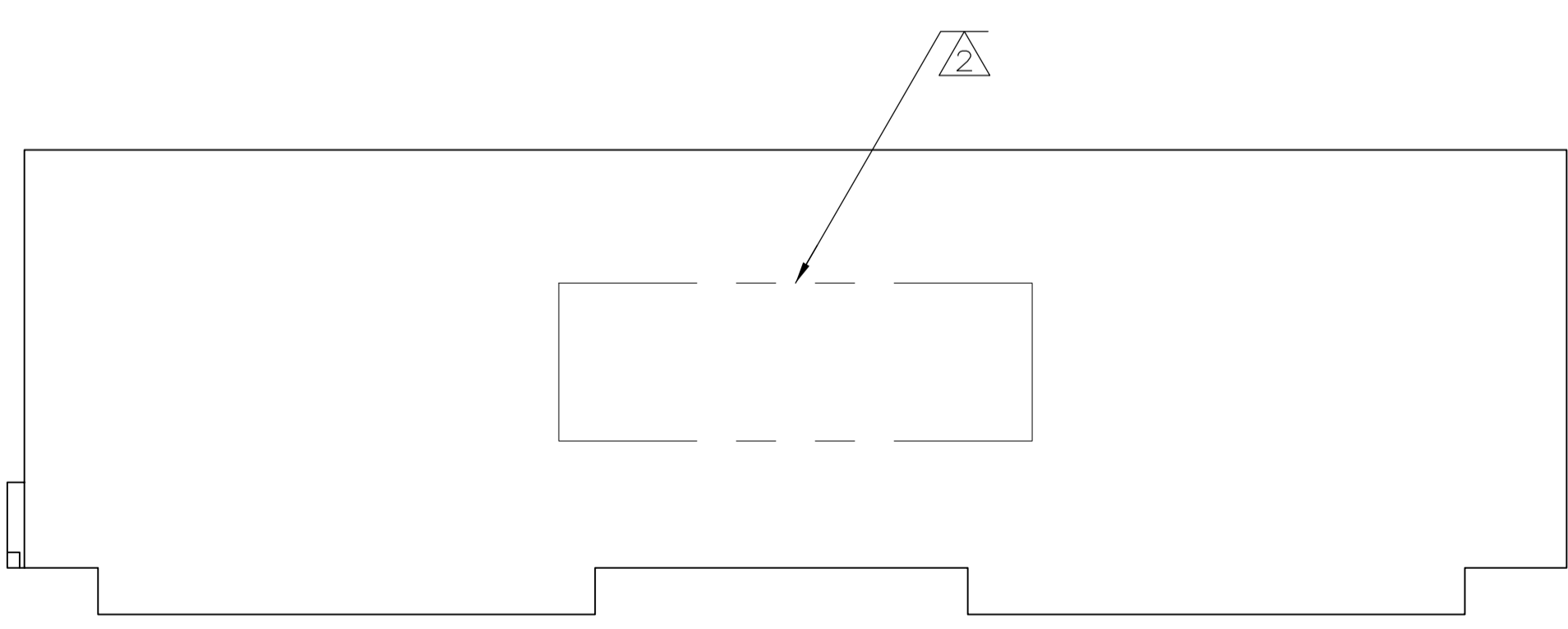
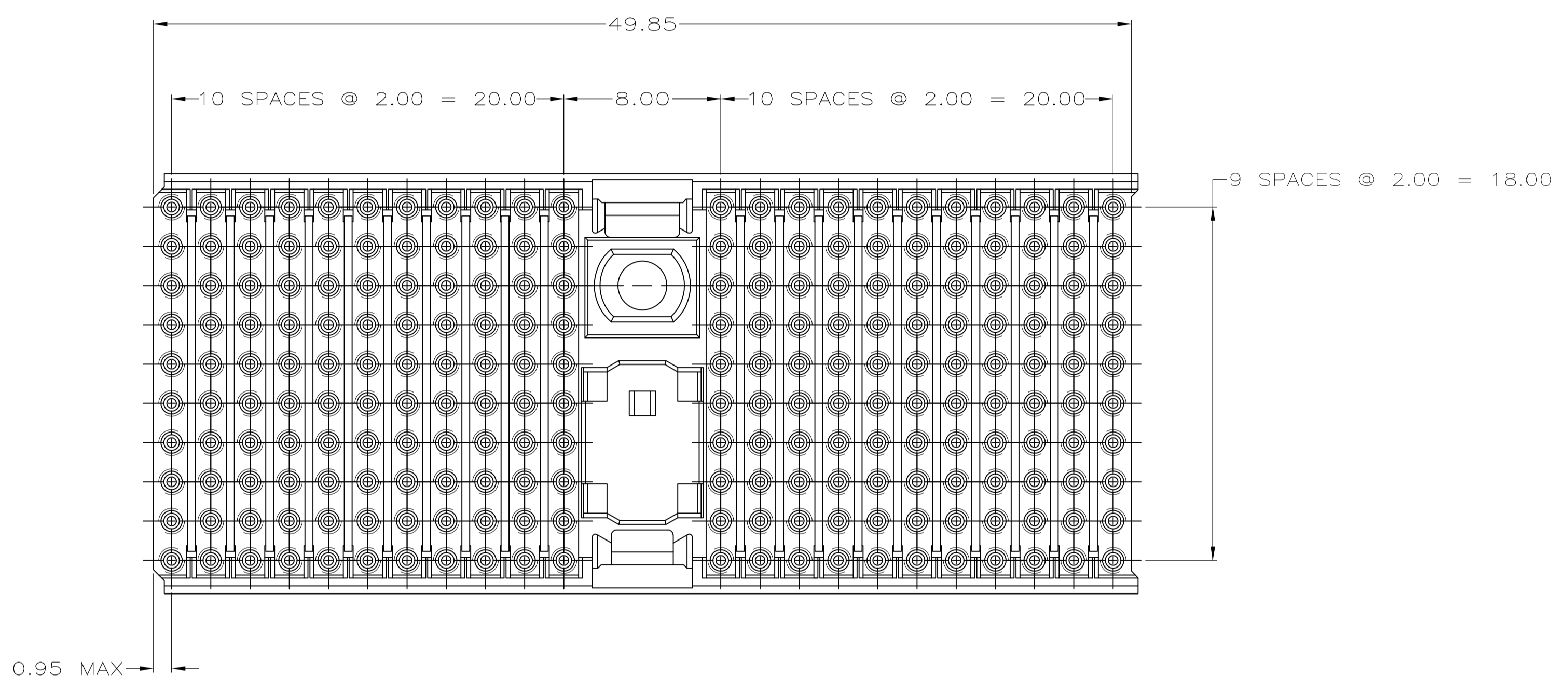


LOC		DIST		REVISIONS			
P	LTR	DESCRIPTION	DATE	DMN	APVD		
E		REVISED PER ECO-07-027626	28NOV07	DH	JE		
E1		REVISED PER ECO-10-000443	15JAN10	KK	AEG		
F		ECR-10-019054	15SEP10	DP	MQW		



- ⚠ MATERIAL: GLASS FILLED POLYESTER.
- ⚠ PART NUMBER MARKED IN APPROXIMATE AREA SHOWN. ADDITIONAL CHARACTERS OR MARKINGS, AS WELL AS THE LOCATION OF THE MARKINGS, MAY BE ADDED FOR TRACEABILITY BASED UPON MANUFACTURERS DISCRETION.
- ⚠ TO BE MEASURED AT BASE OF SHROUD.
- ⚠ OBSOLETE PARTS: OBSOLETE CIS STREAMLINING PER D.RENAUD/D.SINISI



⚠ OBSOLETE	1.90	646476-7
⚠ OBSOLETE	1.70	-646476-6-
⚠ OBSOLETE	1.50	-646476-5-
⚠ OBSOLETE	1.30	-646476-4-
⚠ OBSOLETE	1.10	-646476-3-
	0.90	646476-2
⚠ OBSOLETE	-	-646476-1-
	DIM Z	PART NUMBER

THIS DRAWING IS A CONTROLLED DOCUMENT.

DIMENSIONS: mm	TOLERANCES UNLESS OTHERWISE SPECIFIED:	DIN T. SHUEY 9-29-98	Tyco Electronics Corporation Harrisburg, Pa 17105-3608
0-PLC ±	1-PLC ±	CHK G. SKIPPER 11-23-98	
2-PLC ±	3-PLC ±0.05	APVD G. SKIPPER 11-23-98	NAME SHROUD,TYPE D,Z-PACK 2mm HM, 8 ROW,220 POSITION,WITH GUIDE
4-PLC ±	ANGLES ±	PRODUCT SPEC	
MATERIAL	FINISH	APPLICATION SPEC	SIZE CAGE CODE DRAWING NO
1		WEIGHT	A1 00779 C=646476
		CUSTOMER DRAWING	RESTRICTED TO
		SCALE 5:1	SHEET 1 OF 1 REV F